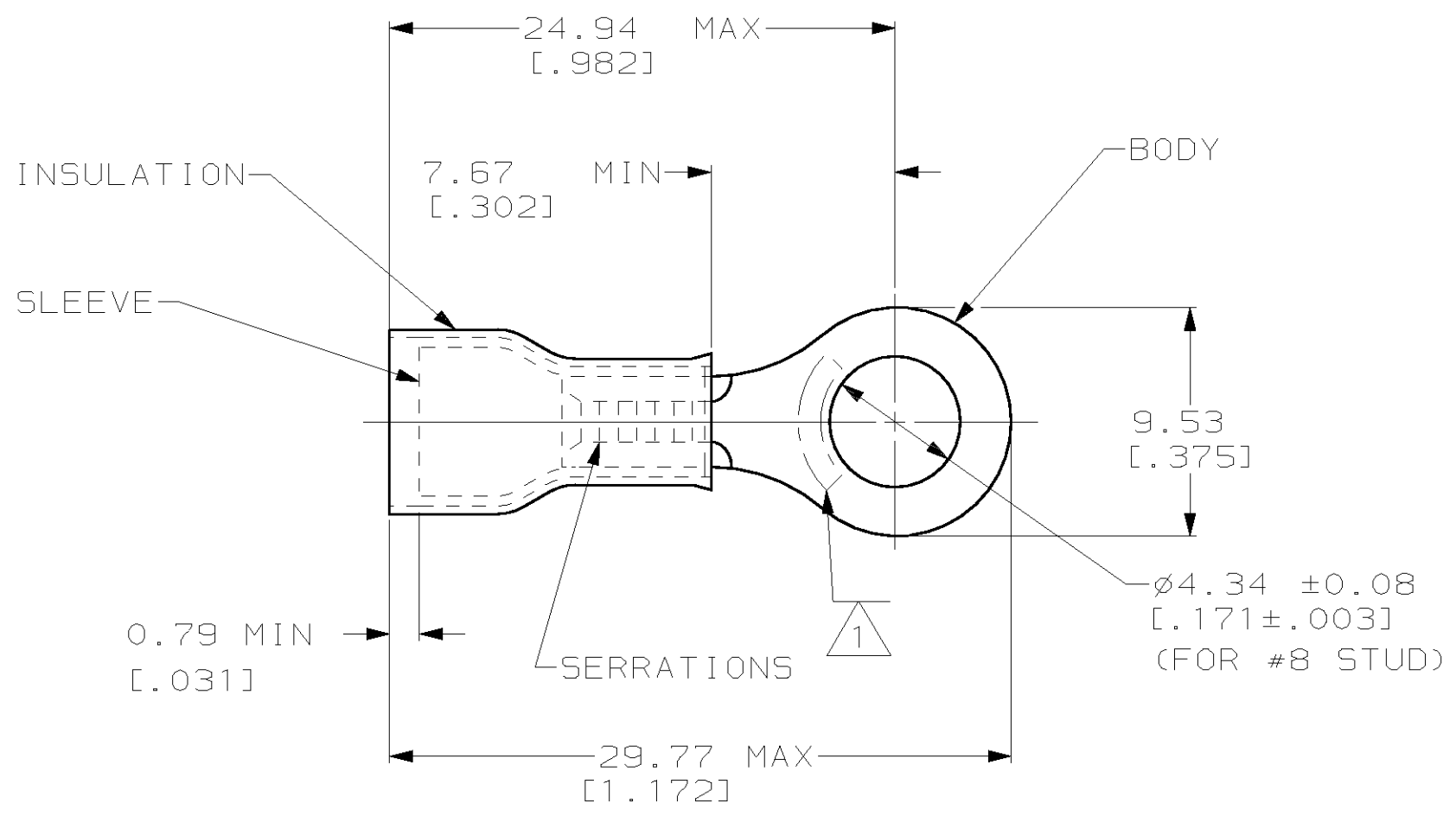


THIS DRAWING IS UNPUBLISHED. RELEASED FOR PUBLICATION ,19 .
 © COPYRIGHT 19 BY AMP INCORPORATED. ALL RIGHTS RESERVED.

LOC	DIST	REVISIONS			
P	LTR	DESCRIPTION	DATE	DWN	APVD
G	14	F	REV PER 063A-0331-02	26AUG02	JR TM

AMP WIRE RANGE	UL E13288	SP LR7189 Certified
12-10 AWG SOLID OR STRANDED	12-10 AWG SOLID OR STRANDED	12-10 AWG SOLID OR STRANDED



- △ STAMP AMP 12-10* APPROX AS SHOWN
- 2. WIRE INSUL DIA, 4.32-7.62 [.170-.300]
- 3. TONGUE MATERIAL THK, 1.02±0.05 [.040±.002]

---	-----	-----
50	LOOSE PIECE, BOX	8-35605-2
1500	ON TAPE, REEL	2-35605-2
500	LOOSE PIECE	35605
QTY	PACKAGE TYPE	PART NO

AMP INCORPORATED
CUSTOMER SERVICE SYSTEM

FOR ADDITIONAL PRODUCT INFORMATION OR COPIES OF DRAWINGS AND TECHNICAL DOCUMENTS: PRODUCT INFORMATION CENTER 1-800-522-6752

FOR APPLICATION TOOLING INFORMATION: TOOLING ASSISTANCE CENTER 1-800-722-1111

FOR ORDER ENTRY: 1-800-526-5142

MAX RECOMMENDED OPERATING TEMPERATURE:
 105° C [221° F]

VOLTAGE RATING:
 -
 300V MAX

CIRCULAR MIL AREA:
 2.63mm²-6.64mm² (5180-13100)

THIS DRAWING IS A CONTROLLED DOCUMENT FOR AMP INCORPORATED. IT IS SUBJECT TO CHANGE AND THE CONTROLLING ENGINEERING ORGANIZATION SHOULD BE CONTACTED FOR THE LATEST REVISION.

DIMENSIONS:	TOLERANCES UNLESS OTHERWISE SPECIFIED:
mm [in]	
	0 PLC ±-
	1 PLC ±-
	2 PLC ±0.20 [.008]
	3 PLC ±-
	4 PLC ±-
	ANGLES ±-

MATERIAL: BODY, SLV, COPPER PER ASTM B 152; INSUL, PVC, COLOR, YELLOW

FINISH: BODY & SLV, TIN PLATE PER MIL-T-10727

DWN	M ELLIS	17APR95	AMP AMP Incorporated Harrisburg, PA 17105-3608
CHK	C PRESNELL	17APR95	
APVD	N BIRCH	17APR95	
PRODUCT SPEC	UL 486A		
APPLICATION SPEC	-		NAME TERMINAL, RING TONGUE, PIDG, WIRE SIZE, 12-10 AWG
WEIGHT	-		SIZE A3
CUSTOMER DRAWING			CAGE CODE 00779
SCALE 4:1			DRAWING NO C-35605
SHEET 1 OF 1			REV F